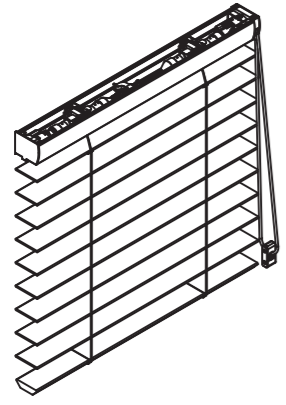


Installation & Maintenance Instructions



Getting Started


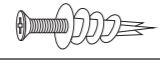
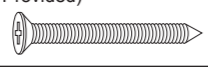
Remove the blind from the package. Be sure to keep the packaging until the blind operates to your satisfaction. Please take a moment to review the following installation guide for proper installation.

Recommended Tools

- Measuring Tape
- Pencil
- Level
- Screwdriver
- Power drill (1/4"hex driver and drill bit)

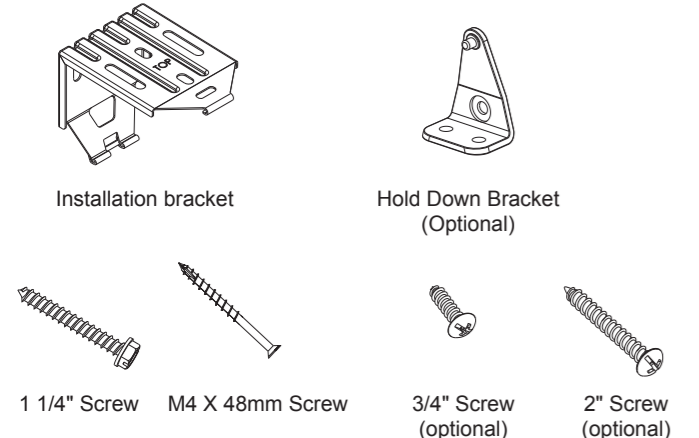


You will need to use the following fasteners for your particular mounting surfaces:

Mounting Surface	Fastener
Wood	1 1/4"Hexagonal Head Screw(Provided) 
Drywall/Plaster	Wall Anchors, Expansion Bolts (Not Provided) 
Metal	Sheet Metal Screws (Not Provided) 

Check Hardware

Check your package for contents needed for proper installation.



Hardware Quantity Standard

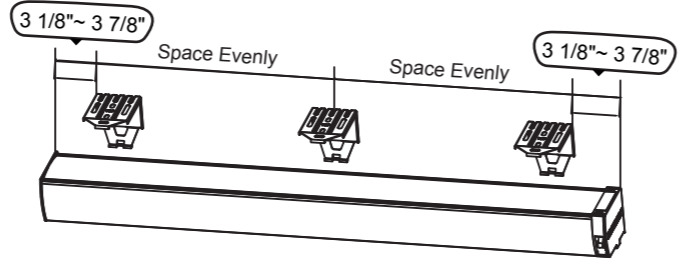
Blind Width (X)	X ≤ 37"	37" < X ≤ 47"	47" < X ≤ 75"	75" < X ≤ 100"
Installation Bracket	2	3	4	5
1 1/4" Screw for Installation Bracket	4	6	8	10
M4x48mm Screw for Tensioner	2	2	2	2
Hold Down Bracket (Optional)	2	2	2	2
Spacer Block(Optional)	4	6	8	10
3/4" Screw for Hold Down Bracket(Optional)	4	4	4	4
2" Screw for Installation Bracket with spacer block(Optional)	4	6	8	10

Note: You may find more hardware parts than you actually need. In that case, feel free to set them aside for future use.

Optional hardware parts, such as spacers and hold down brackets, are available upon request.

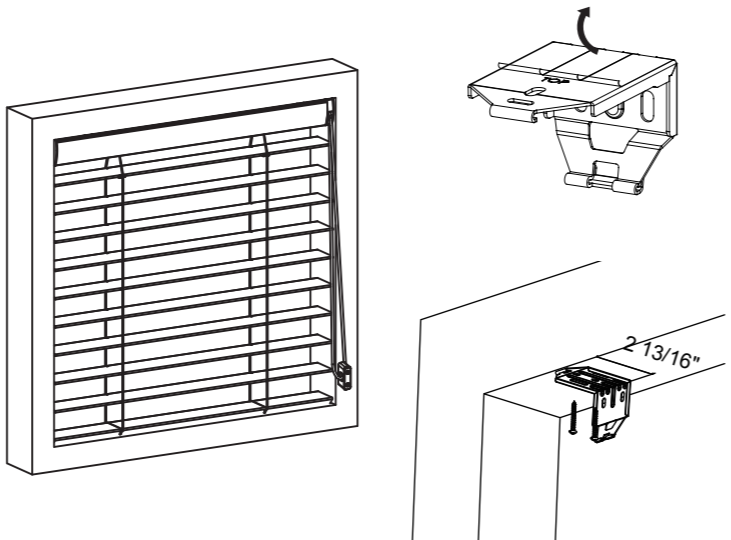
Step1.Install Brackets

Measure 3 1/8"~3 7/8"from both ends of the head rail. Mark the bracket location on the mounting surface. For easy installation and proper blind operation, use a level to ensure all brackets are alignment.



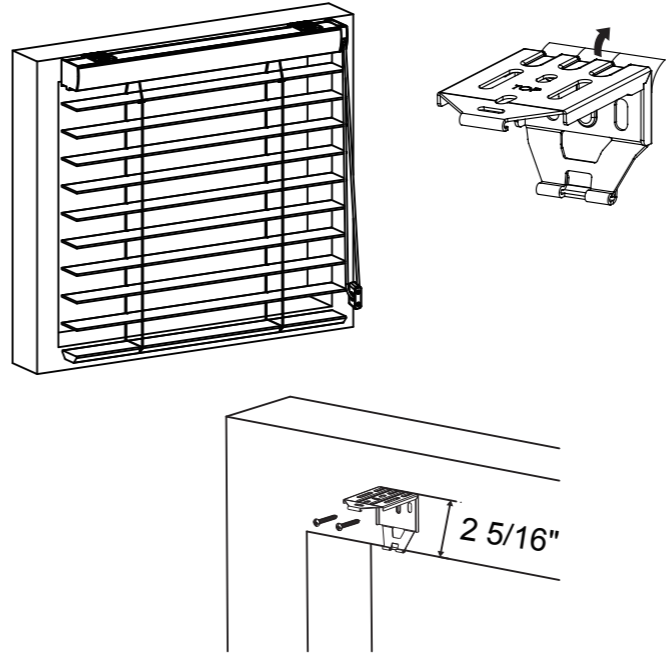
Inside Mount

- Paste the double-side adhesive tapes at the top of brackets before installing.
- Allocate a min. distance of 2 13/16" from wall to the backside of the brackets.
- Peel off the paper and stick the brackets at the marked location. Use two 1 1/4"mounting screws to secure brackets. Use wall anchors for drywall or plaster wall.
- Attached the installation brackets parallel to the window casement on both sides.



Outside Mount

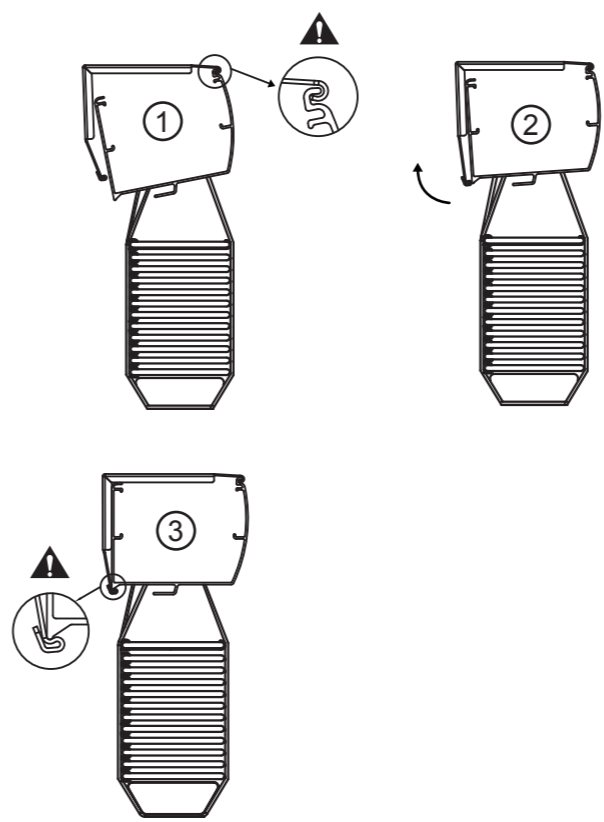
- Paste the double-side adhesive tapes on backside of brackets before installing.
- Allocate a min. distance of 2 5/16" from the top of bracket to the top window frame.
- Peel off the paper and stick the brackets at the marked location. Use two 1 1/4"mounting screws to secure brackets. Use wall anchors for drywall or plaster wall.
- Recommended: Use a level to double check the brackets are at the same level.



Step 2. Install the Headrail

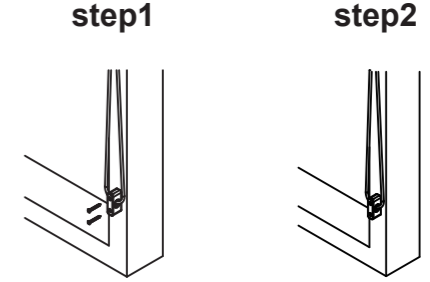
- Position the head rail at an angle so that it is hooked to the front of the bracket. Then push it upward to snap into the bracket.

! For proper installation, start with attaching the front rail to the bracket.



Step 3: Cord Tensioner Installation

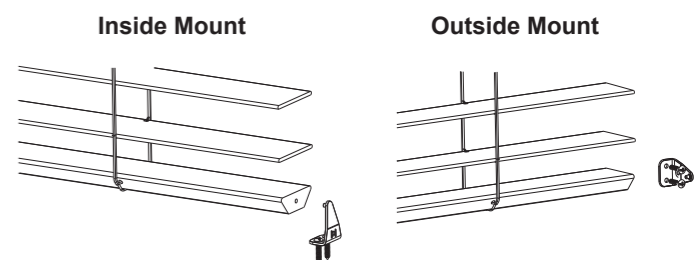
- The control cord cannot be too tightened / taut when installing due to its own system character.
- Use 2pcs M4x48mm screws to mount the cord.
- Tensioner to the wall or window frame firmly for both inside & outside mount. Please refer to the following steps:



Step 4: Additional Attachments

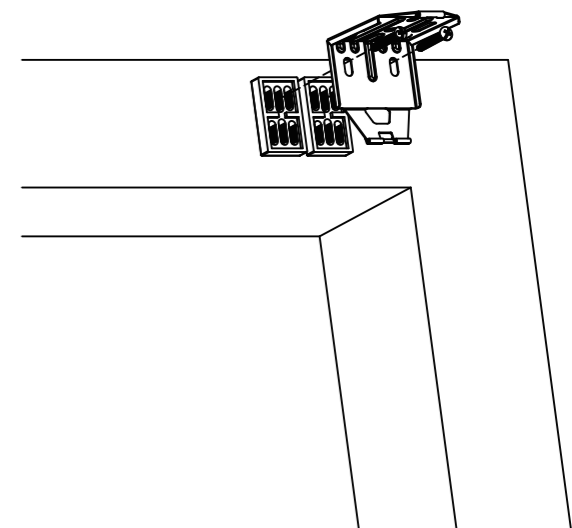
Hold down brackets(optional)

- Attach the hold down brackets against a flat surface, horizontally or vertically, parallel to the bottom rail. Make sure the protruding area is aligned with the hole on the side of the bottom rail. Secure the hold down bracket into the bottom rail on both sides to keep blinds in desired location.



Spacer block(optional)

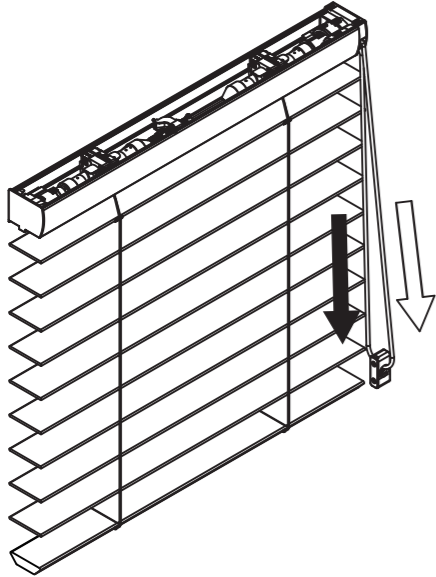
- Install the spacer blocks at the backside of the installation bracket as below pictures



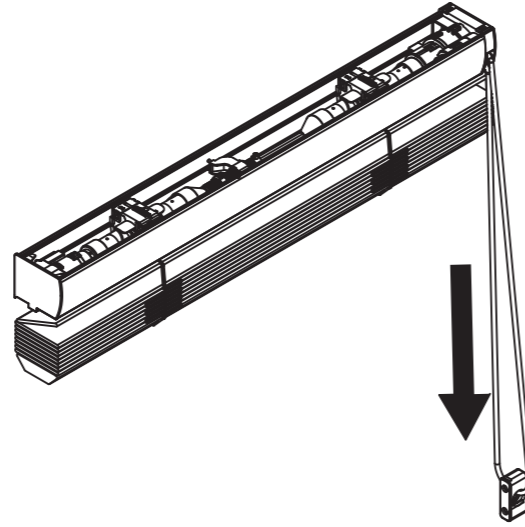
Operate Your Blind

Cord Tensioner must be fully tightened prior to operating the shade.

Pull the front control cord to tilt the slats to close. Pull the back control cord to turn slats reversely.

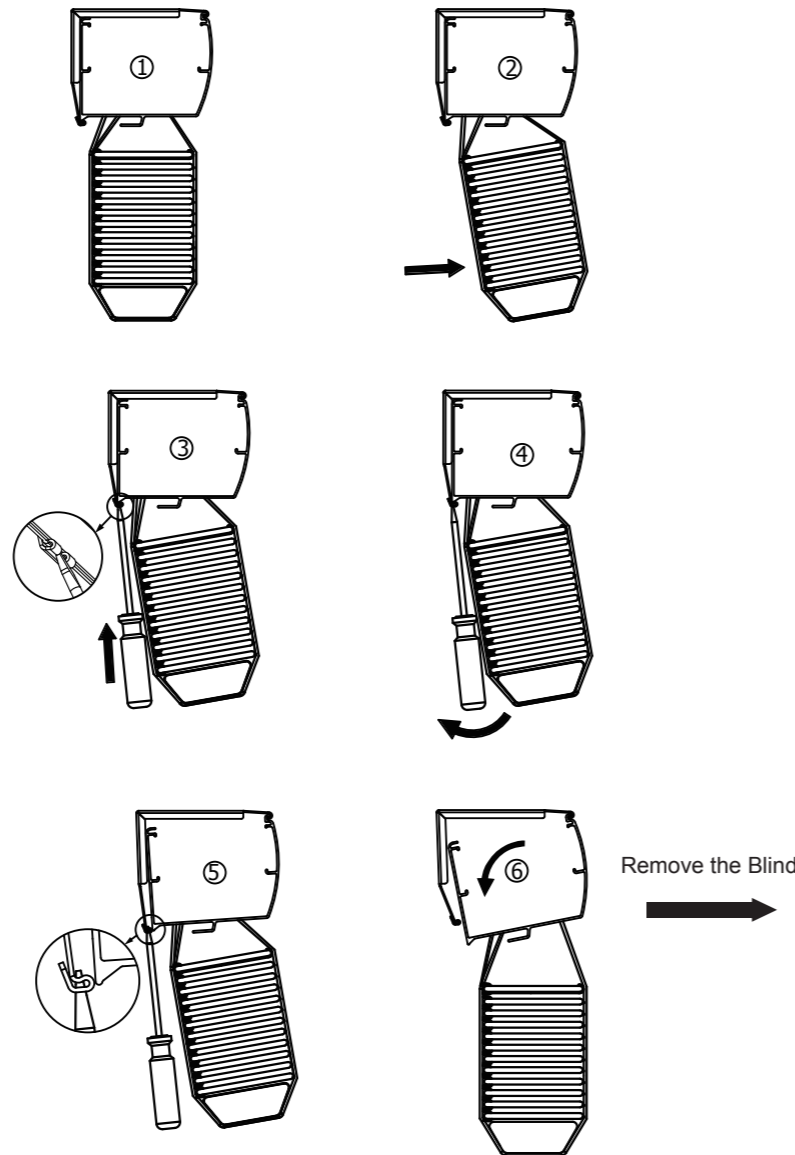


Pull the back control cord, the slats will turn backwards. Keep pulling the back control cord, the blind will go down automatically to the bottom. If want to stop the blind lowering down, just pull the front control cord.

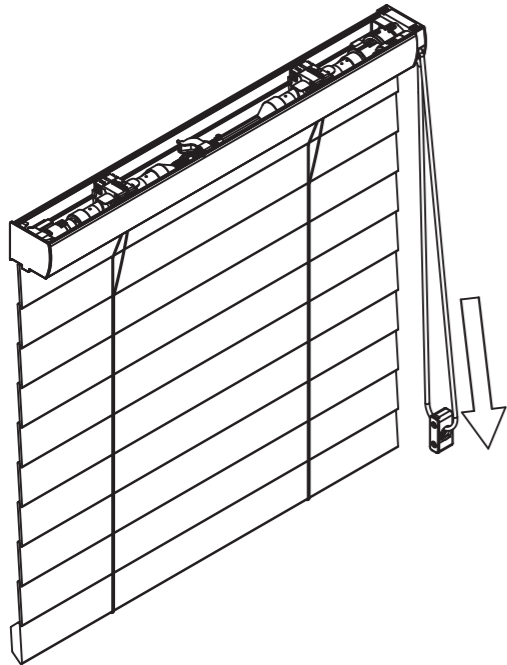


Remove the Blind

Gently pry the bracket off the head rail with a flat screwdriver as below drawing.



When the slats turn to be fully closed, pull the front control cord to raise the blind. The blind can stay at any desired height when stop pulling the front control cord.



Cleaning Instructions

Perform periodic simple cleaning of your blind will keep your blind looking its best for the years to come. There are two ways to clean. You can dust it with a duster or dusting mitten, or simply use a soft cloth slightly moisten with lukewarm water to wipe down the slats. You can clean it with the blind hanging on the window, or you can take it down completely. By tilting the slats down but not fully closed, you will be able to clean most of the top surface of each slat. **Do not use detergent or abrasive cleaning solutions to clean the blind since it will likely cause damage to the blind.**

! WARNING



Young children can **STRANGLE** in cord and bead chain loops. They can also wrap cords around their necks and **STRANGLE**.

- Always keep cords out of children's reach.
- Move cribs, playpens, and other furniture away from cords and bead chains. Children can climb furniture to get to cords.
- Always wrap the cords around the cleats in a figure eight, up high, out of reach of children.

! MISE EN GARDE



Un jeune enfant peut s'**ÉTRANGLER** avec la boucle d'un cordon ou d'une chaînette. Il peut aussi enrouler le cordon autour de son cou et s'**ÉTRANGLER**.

- Gardez toujours les cordons hors de portée des enfants.
- Éloignez les lits et parcs de bébé, ainsi que toute autre pièce de mobilier, des cordons et des chaînettes. Un enfant peut grimper sur un meuble pour atteindre les cordons.
- Enroulez toujours les cordons en noeud en huit autour du taquet de cordon, placé haut et hors de portée des enfants.

! ADVERTENCIA



Los niños pequeños corren el riesgo de **ESTRANGULARSE** en los lazos de las cuerdas y cadenas. También se pueden envolver las cuerdas alrededor del cuello y **ESTRANGULARSE**.

- Mantenga siempre las cuerdas y cadenas fuera del alcance de los niños.
- Mueva las cunas, los corrales y otros muebles lejos de las cuerdas y cadenas. Los niños pueden subir a los muebles para llegar a las cuerdas.
- No ate las cuerdas unas a otras. Asegúrese de que no se enrieden creando un lazo.